

Archimede wall catch

Description

Automatic wall catch, very practical as it is controlled with just one hand and after the opening of the sash is mechanically activated, ready to receive and block the sash for a following opening.

Main characteristics:

The wall catch is available in 4 different measures which allow to block a rebate with minimum thickness of 15 mm up to a maximum of 135 mm (folding sashes with 55 mm thickness and distance between the sashes of 25 mm or sash thickness of 59 and distance of 16 mm).

The little bow and the resting rebate are made of plastic in order to preserve the finish of the shutters. The treatment of the wall catch is Blacktech coating, the dowels and the spring are made of stainless steel.

Archimede allows 2 adjustments: the one of the blocking bow (25 mm) and the one of the resting rebate (15 mm).

The adjustment of the bow makes possible to adapt the wall catch to the sash thickness and the rebate adjustment allows to block the

sash at the right distance from the wall without using adapters (min 20 mm max 35 mm). For all adjustments use 4 mm Allen wrench.

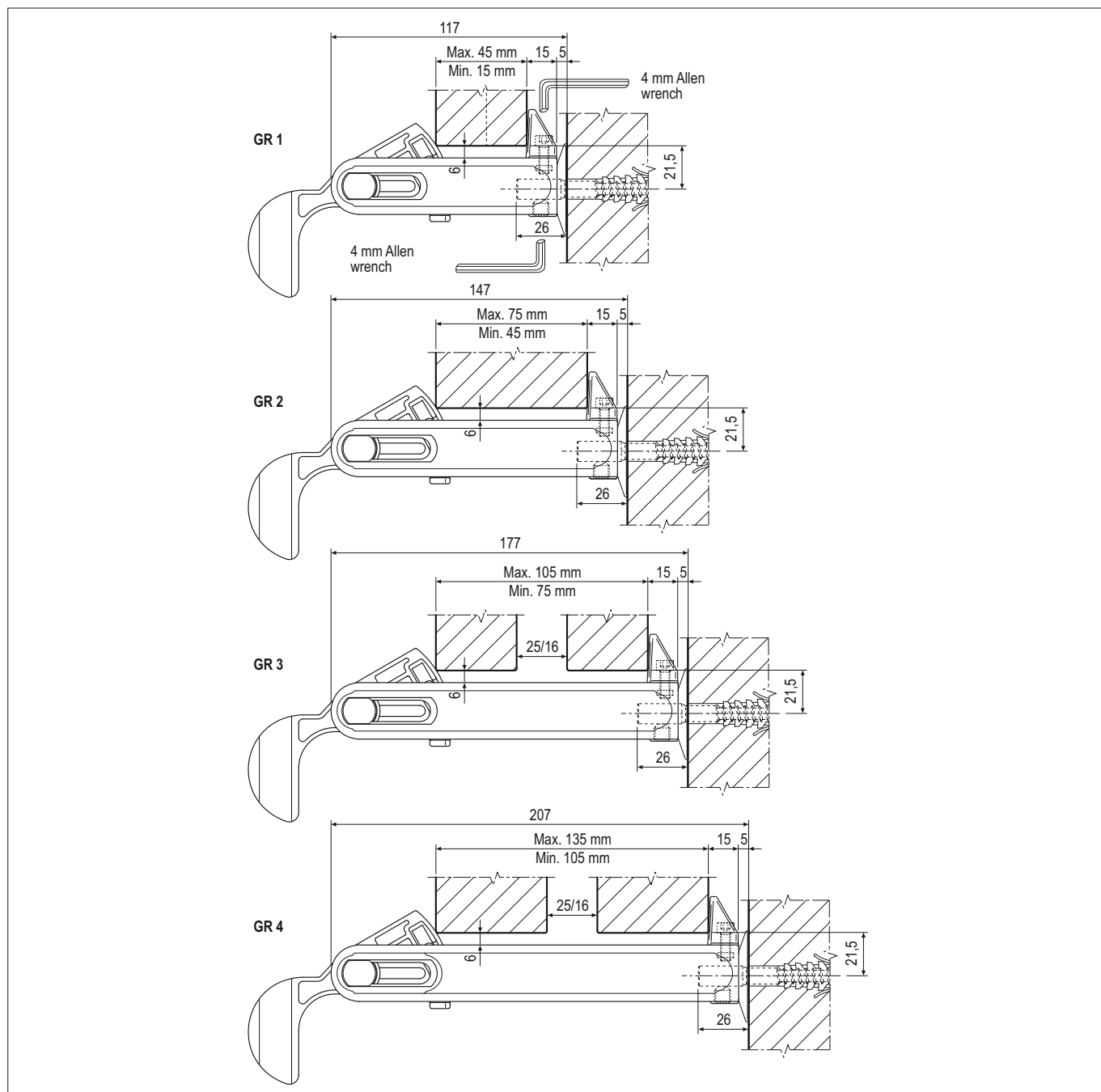
Mounting

Archimede is a wall catch to be fixed to a specific supporting pin which allows to install it on traditional or insulated walls. Just the length of the pin changer according to the thickness of the insulating panel. For every size a plastic screw anchor is available (see page "Pins and screw anchors for wall catches"). The pin head is hexagonal and can therefore be screwed down with automatic screw driver.

The body of the wall catch is then fixed on the pin by means of a dowel.

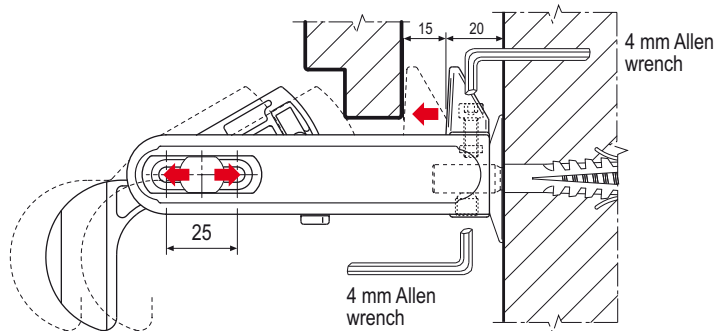
The plastic washer taht covers the hole, allows the compression of the wall catch against the wall, therefore do not loosen the catch on the screw anchor.

NB. For a correct drilling in the wall jig H00930.03.07 is available.

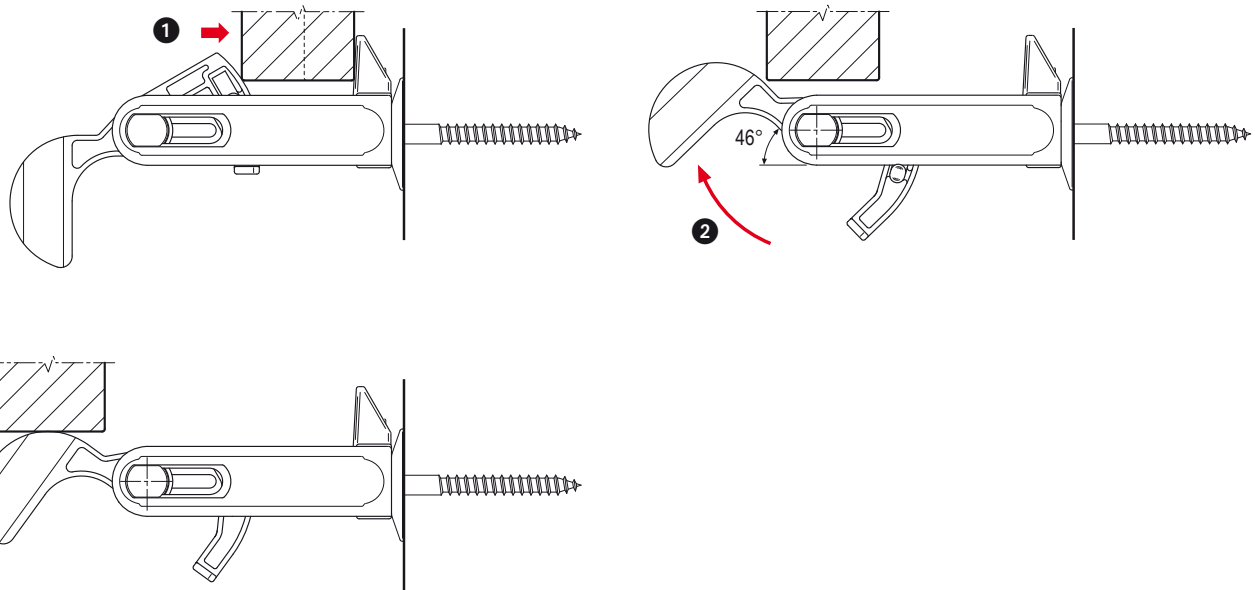


Archimede wall catch

ADJUSTMENT



OPERATIONS



Order Specifications

GR Article

- 1 H02926.01.XX
- 2 H02926.02.XX
- 3 H02926.03.XX
- 4 H02926.04.XX

NB. Refer to the price list in force to check the availability of the finishes.