

Straight catch pin



Description

Straight adjustable steel catch pin can be mounted on timber, aluminium or PVC. It can be adjusted with a 5 mm Allen wrench.

Application

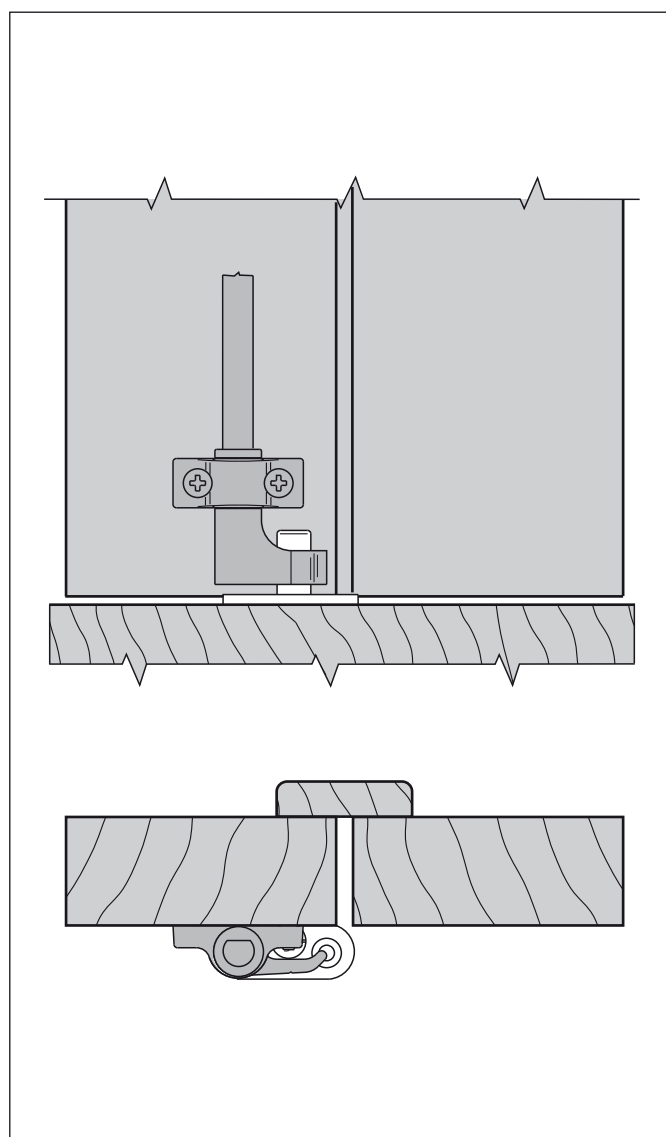
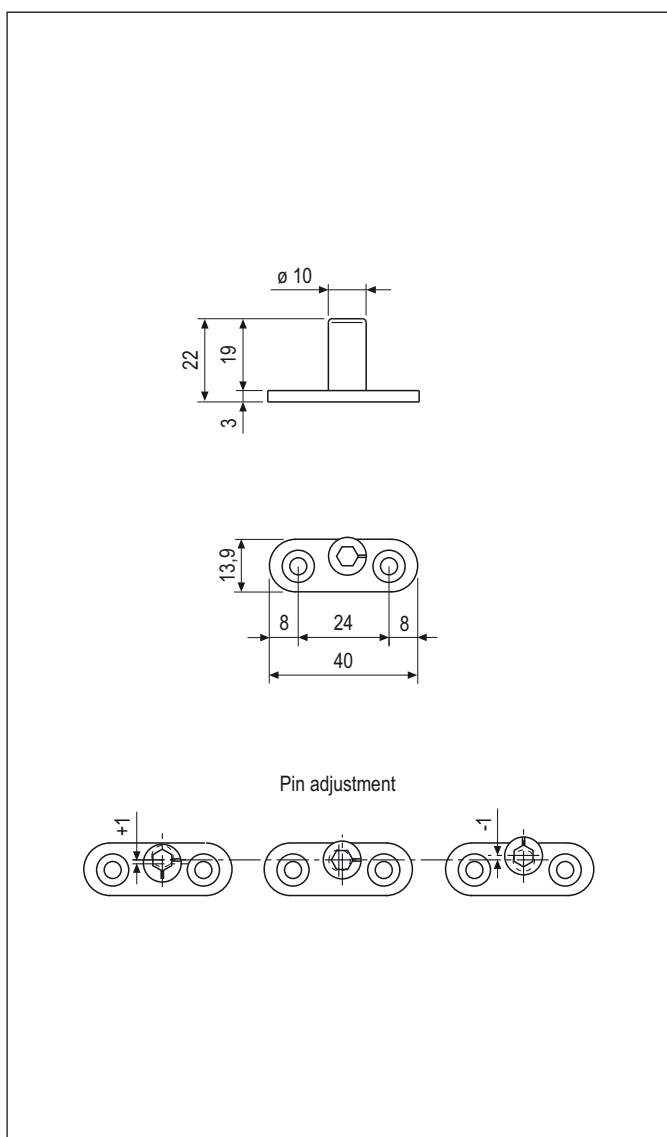
Suitable for overlapped or rebated shutters.

NB. Working tolerances can be compensated by adjusting the pin.

- Used in combination with standard or curved closing hooks.

Mounting

Use two 4x30 mm screws with thread suitable for the frame material.



Order Specifications

	No. of pins	Article
	1	H00901.11.XX
Basic kit	2	H00901.46.XX

NB. Refer to the price list in force to check the availability of the finishes.