

22x238 mm striker - round ends with shaped lip



Description

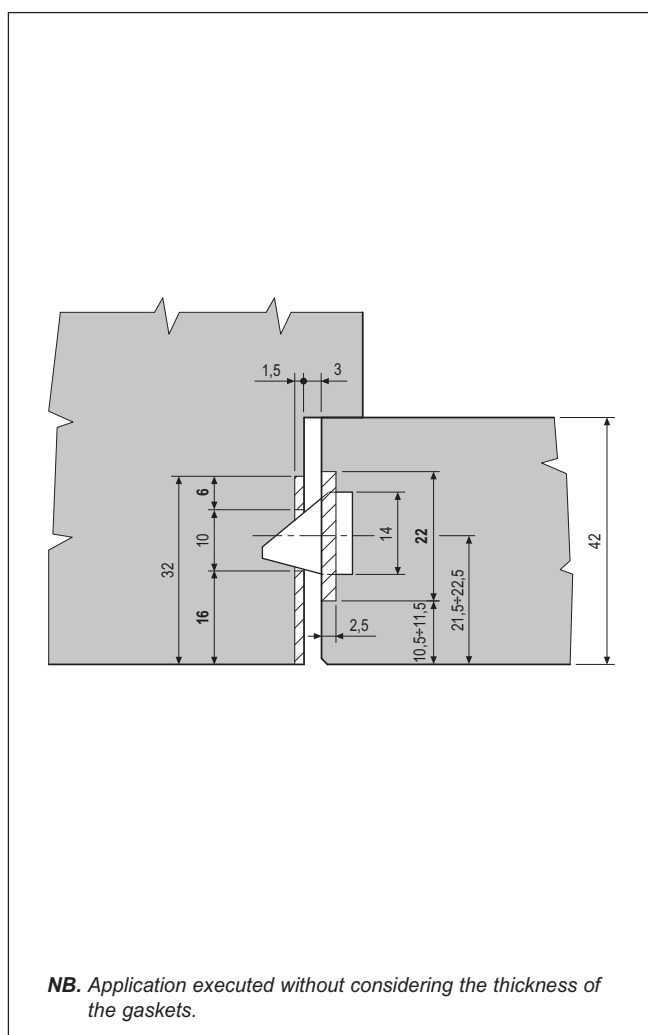
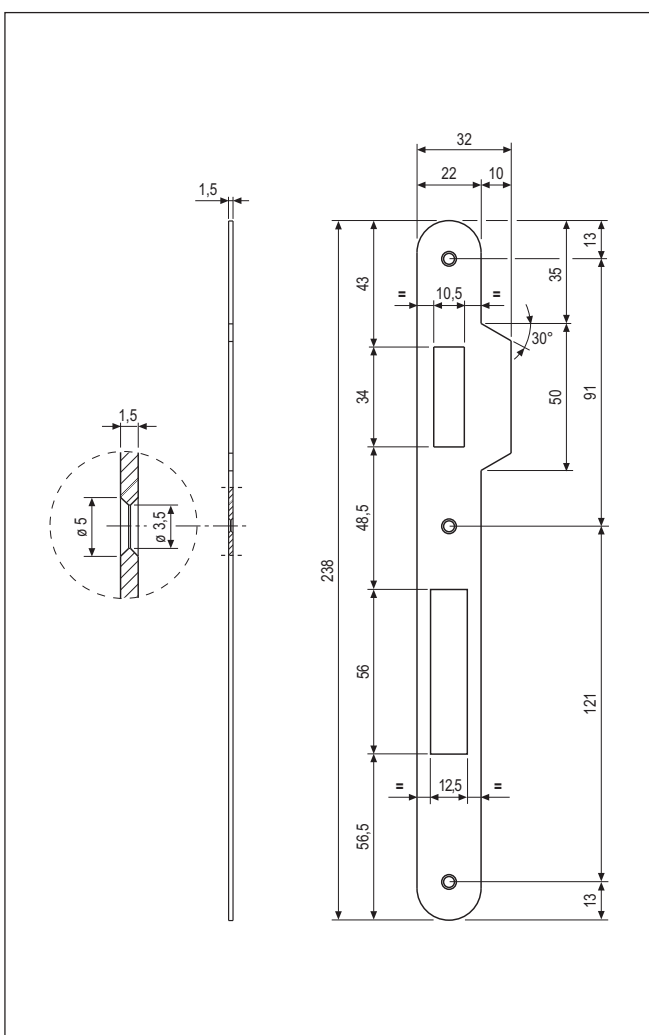
Steel or brass striker with round ends, 22 mm wide, 238 mm long. 10 mm shaped lip for jamb protection in area where spring latch strikers. Suitable for both right and left-handed applications.

Application

Used in combination with a Mortice lock with 22 mm forend, on interior and main flush doors with timber frame. Can also be used with 22-mm forend Patent Grande locks.

Mounting

Mill the frame according to the dimensions shown in the diagram. Install the striker with the lip flush with the edge of the frame. Fasten with three 3x25 mm screws.



Order Specifications

Material	SALES CODE		
	Ref.	Model	Finish
STEEL	B00590	11	XX
BRASS	B00590	12	XX

NB. Refer to the price list in force to check the availability of the finishes.